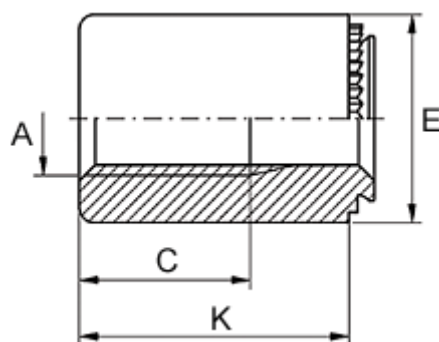


Article number: 12523800050500  
Description: KLEE-coil 523 800 050.500  
M5 Stainless 1.4305

## Measures

---



Female thread A	= M5
Height K	= 23
Min distance to edge	= 4.0
Outer diameter E	= 9
Plate thickness	= 0.8 to 1.0
Recommended bore diameter +0.05	= 6.00
Thread length	= 8.0